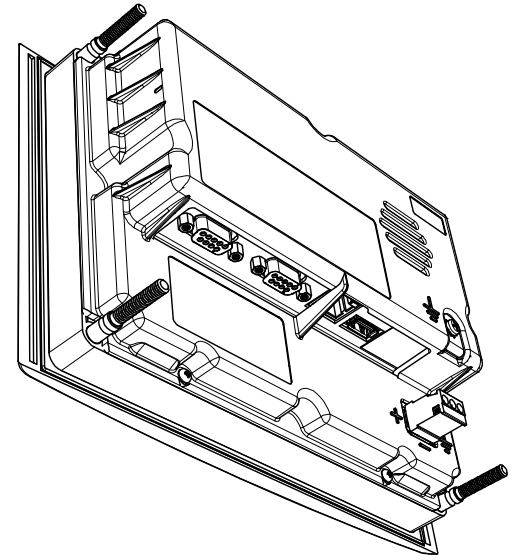
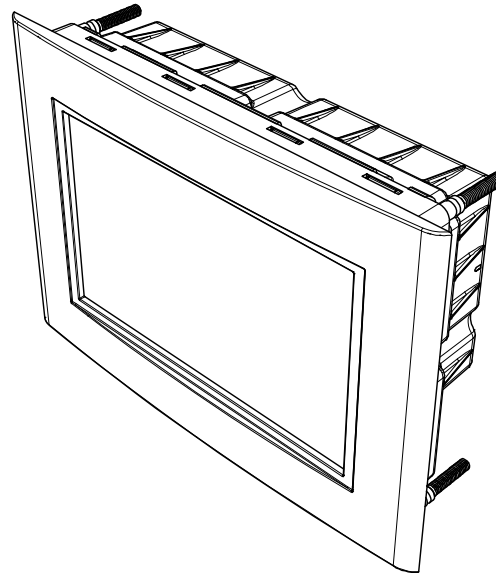
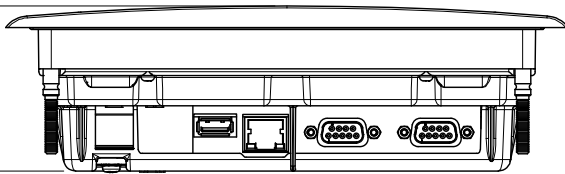


8.5  
[.33 in]

57.0  
[2.24 in]

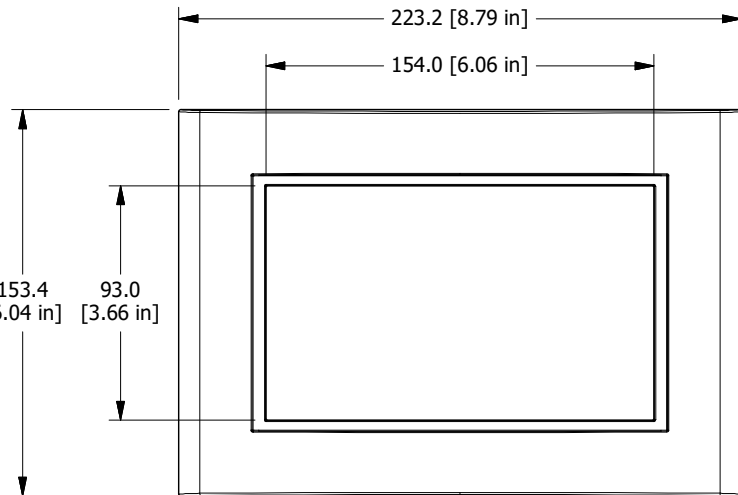


223.2 [8.79 in]

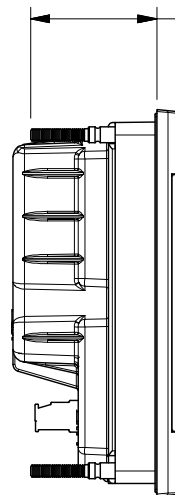
154.0 [6.06 in]

153.4  
[6.04 in]

93.0  
[3.66 in]

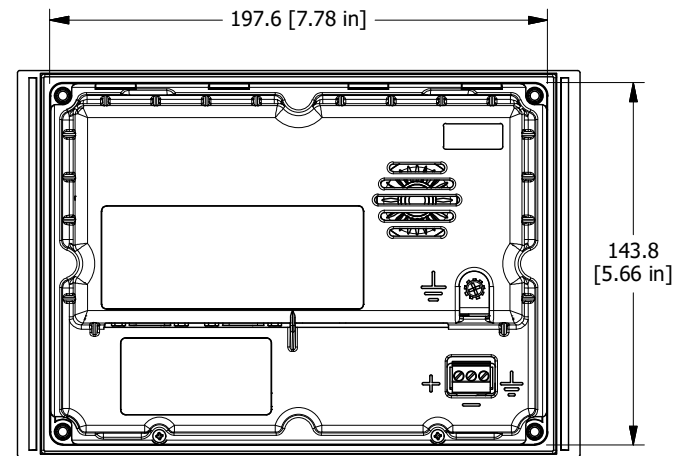


50.1  
[1.97 in]



197.6 [7.78 in]

143.8  
[5.66 in]

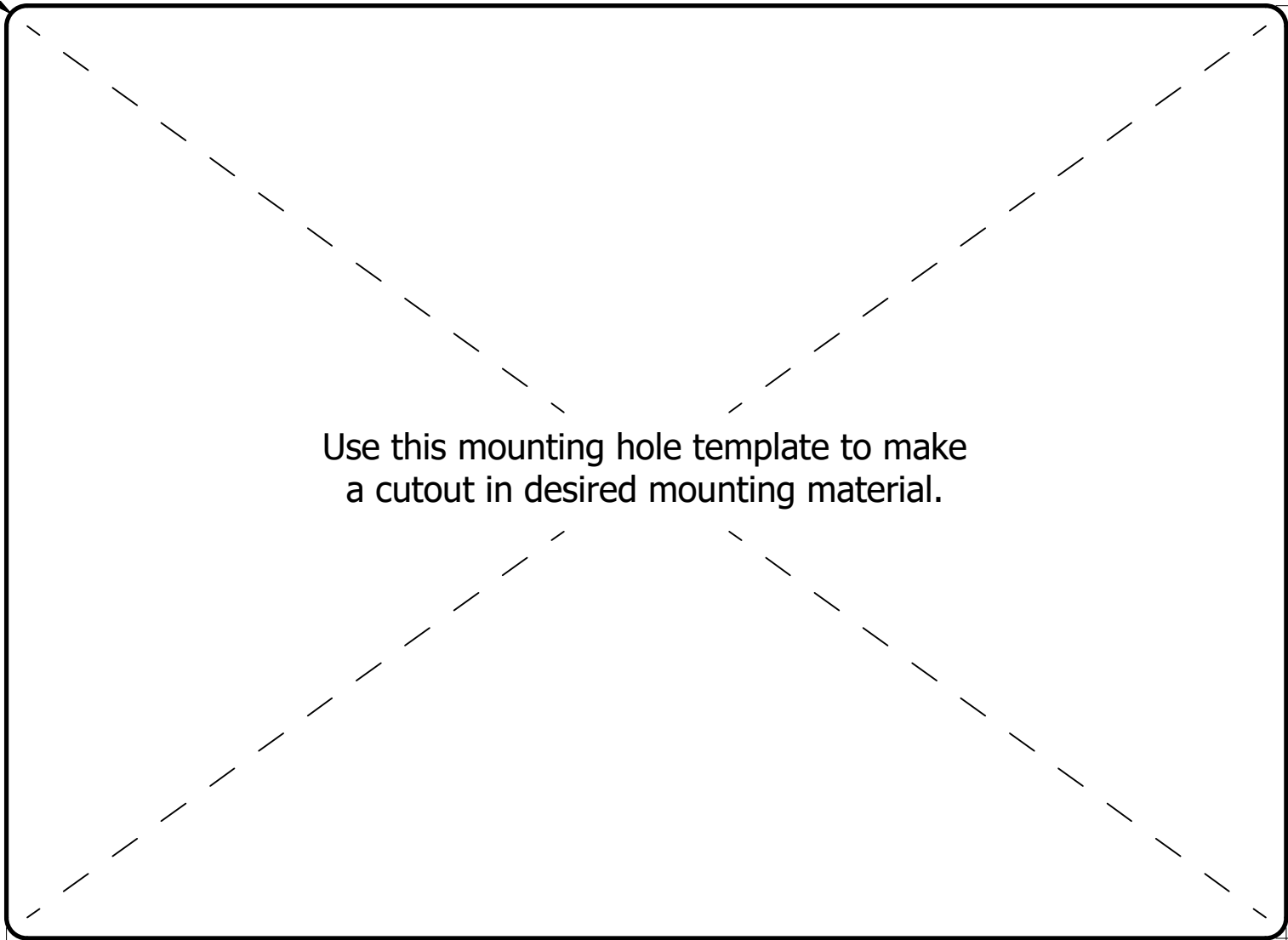


TITLE <b>CueTouch</b>		SCALE 1 / 3	UNITS MM	PROJECTION First Angle	DATE 1/15/2018
DOC NO.	PART NO. CT-400	REV A	SIZE A	SHEET 1 OF 2	CREATED BY George Dejmal

**Interactive  
TECHNOLOGIES**

**Interactive Technologies, Inc.**  
5295 Lake Pointe Center Drive, Suite 100  
Cumming, GA 30041  
Phone: 678-455-9019  
www.interactive-online.com

R3.2



Use this mounting hole template to make  
a cutout in desired mounting material.

145.0 ± 1.00  
[5.71 ± .0 in]

199.0 ± 1.00 [7.83 ± .0 in]

TITLE CueTouch Mounting Hole Template		SCALE	UNITS MM	PROJECTION First Angle	DATE 1/15/2018	<b>Interactive TECHNOLOGIES</b> <b>Interactive Technologies, Inc.</b> 5295 Lake Pointe Center Drive, Suite 100 Cumming, GA 30041 Phone: 678-455-9019 <a href="http://www.interactive-online.com">www.interactive-online.com</a>
DOC NO.	PART NO. CT-400	REV A	SIZE A	SHEET 2 OF 2	CREATED BY George Dejmal	